



VONROC®

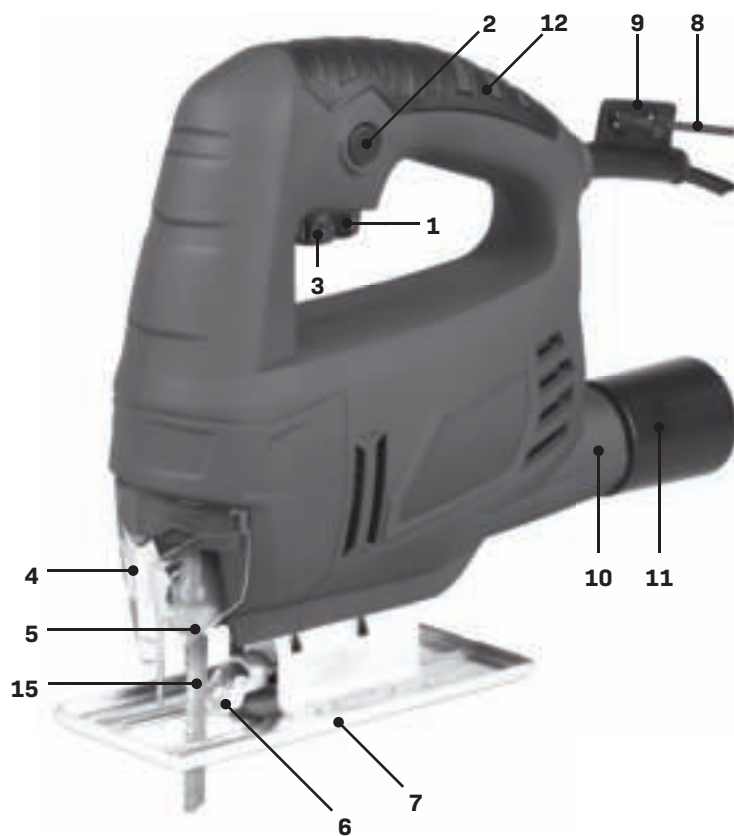
BUILD YOUR FUTURE

JIG SAW JS502AC

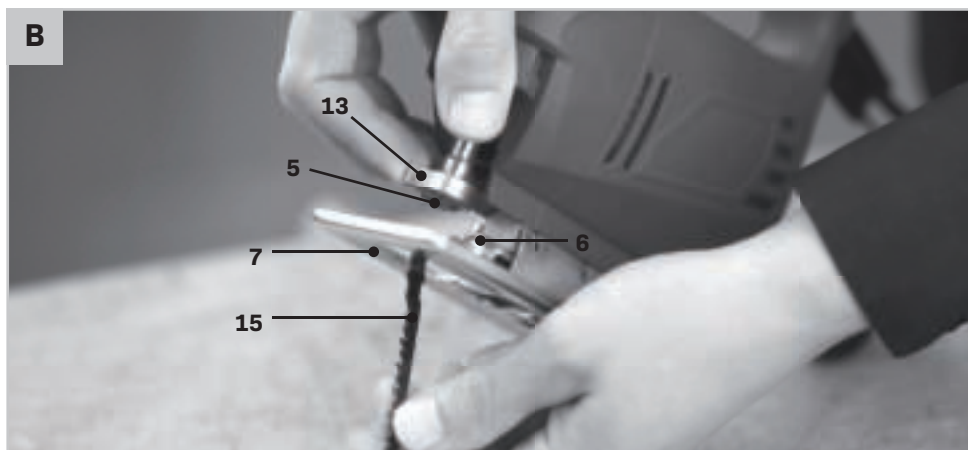


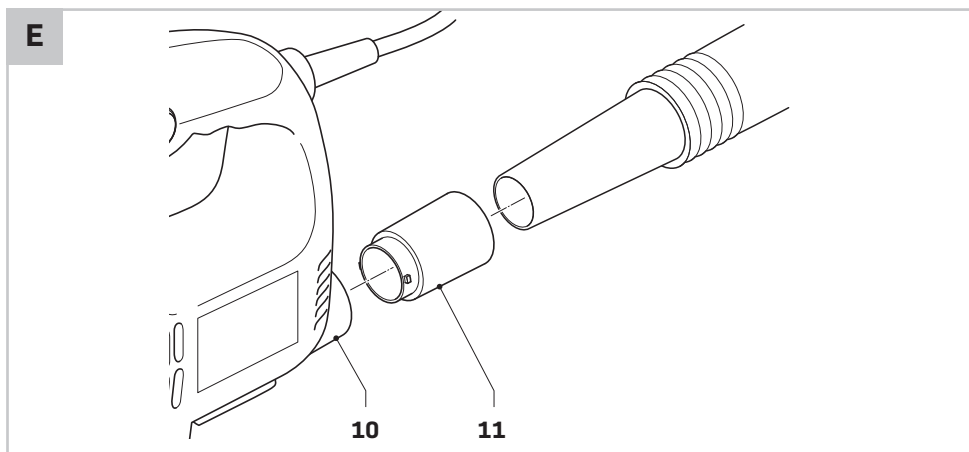
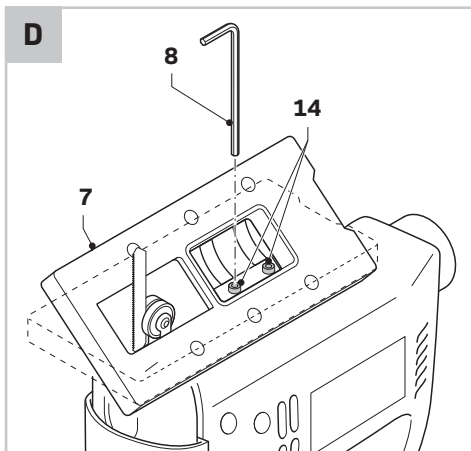
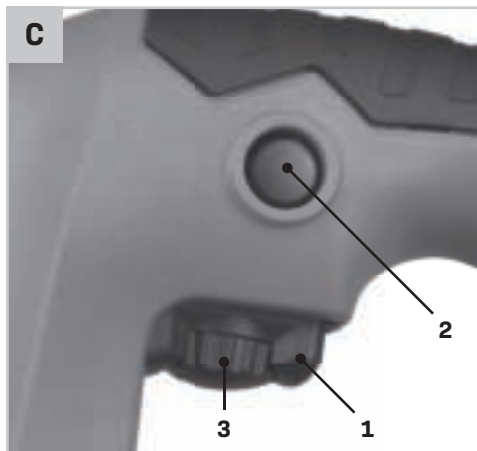
EN Original Instructions	04
DE Übersetzung Der Originalbetriebsanleitung	09
NL Vertaling van de oorspronkelijke gebruiksaanwijzing	15
FR Traduction de la notice originale	21

A



B





1. SAFETY INSTRUCTIONS

Read the enclosed safety warnings, the additional safety warnings and the instructions. Failure to follow the safety warnings and the instructions may result in electric shock, fire and/or serious injury. Save the safety warnings and the instructions for future reference.

The following symbols are used in the user manual or on the product:



Read the user manual.



Denotes risk of personal injury, loss of life or damage to the tool in case of non-observance of the instructions in this manual.



Risk of electric shock



Immediately remove the mains plug from the mains if the mains cable becomes damaged and during cleaning and maintenance.



*Wear safety goggles.
Wear hearing protection.*



Wear a dust mask.



Do not use in rain



*Class II machine - Double insulation -
You don't need any earthed plug.*



Keep bystanders away



Do not dispose of the product in unsuitable containers.



The product is in accordance with the applicable safety standards in the European directives.

GENERAL POWER TOOL SAFETY WARNINGS



WARNING! Read all safety warnings and all instructions. Failure to follow the warnings and instructions may result in electric shock, fire and/or serious injury.

Save all warnings and instructions for future reference.

The term "power tool" in the warnings refers to your mains-operated (corded) power tool or battery-operated (cordless) power tool.

1) Work area safety

- a) **Keep work area clean and well lit.** Cluttered or dark areas invite accidents.
- b) **Do not operate power tools in explosive atmospheres, such as in the presence of flammable liquids, gases or dust.** Power tools create sparks which may ignite the dust or fumes.
- c) **Keep children and bystanders away while operating a power tool.** Distractions can cause you to lose control.

2) Electrical safety

- a) **Power tool plugs must match the outlet.** Never modify the plug in any way. Do not use any adapter plugs with earthed (grounded) power tools. Unmodified plugs and matching outlets will reduce risk of electric shock.
- b) **Avoid body contact with earthed or grounded surfaces, such as pipes, radiators, ranges and refrigerators.** There is an increased risk of electric shock if your body is earthed or grounded.
- c) **Do not expose power tools to rain or wet conditions.** Water entering a power tool will increase the risk of electric shock.
- d) **Do not abuse the cord.** Never use the cord for carrying, pulling or unplugging the power tool. Keep cord away from heat, oil, sharp edges or moving parts. Damaged or entangled cords increase the risk of electric shock.
- e) **When operating a power tool outdoors, use an extension cord suitable for outdoor use.** Use of a cord suitable for outdoor use reduces the risk of electric shock.
- f) **If operating a power tool in a damp location is unavoidable, use a residual current device (RCD) protected supply.** Use of an RCD reduces the risk of electric shock.

3) Personal safety

- a) **Stay alert, watch what you are doing and use common sense when operating a power tool.** Do not use a power tool while you are tired or under the influence of drugs, alcohol or medication. A moment of inattention while operating power tools may result in serious personal injury.
- b) **Use personal protective equipment.** Always wear eye protection. Protective equipment such as

- dust mask, non-skid safety shoes, hard hat, or hearing protection used for appropriate conditions will reduce personal injuries.
- c) **Prevent unintentional starting.** Ensure the switch is in the off-position before connecting to power source and/or battery pack, picking up or carrying the tool. Carrying power tools with your finger on the switch or energising power tools that have the switch on invites accidents.
- d) **Remove any adjusting key or wrench before turning the power tool on.** A wrench or a key left attached to a rotating part of the power tool may result in personal injury.
- e) **Do not overreach.** Keep proper footing and balance at all times. This enables better control of the power tool in unexpected situations.
- f) **Dress properly.** Do not wear loose clothing or jewellery. Keep your hair, clothing and gloves away from moving parts. Loose clothes, jewellery or long hair can be caught in moving parts.
- g) **If devices are provided for the connection of dust extraction and collection facilities, ensure these are connected and properly used.** Use of dust collection can reduce dust related hazards.
- 4) Power tool use and care**
- a) **Do not force the power tool.** Use the correct power tool for your application. The correct power tool will do the job better and safer at the rate for which it was designed.
- b) **Do not use the power tool if the switch does not turn it on and off.** Any power tool that cannot be controlled with the switch is dangerous and must be repaired.
- c) **Disconnect the plug from the power source and/or the battery pack from the power tool before making any adjustments, changing accessories, or storing power tools.** Such preventive safety measures reduce the risk of starting the power tool accidentally.
- d) **Store idle power tools out of the reach of children and do not allow persons unfamiliar with the power tool or these instructions to operate the power tool.** Power tools are dangerous in the hands of untrained users.
- e) **Maintain power tools.** Check for misalignment or binding of moving parts, breakage of parts and any other condition that may affect the power tool's operation. If damaged, have the power tool repaired before use. Many accidents are caused by poorly maintained power tools.
- f) **Keep cutting tools sharp and clean.** Properly maintained cutting tools with sharp cutting edges are less likely to bind and are easier to control.
- g) **Use the power tool, accessories and tool bits etc. in accordance with these instructions, taking into account the working conditions and the work to be performed.** Use of the power tool for operations different from those intended could result in a hazardous situation.
- 5) Battery tool use and care**
- a) **Recharge only with the charger specified by the manufacturer.** A charger that is suitable for one type of battery pack may create a risk of fire when used with another battery pack.
- b) **Use power tools only with specifically designated battery packs.** Use of any other battery packs may create a risk of injury and fire.
- c) **When battery pack is not in use, keep it away from other metal objects, like paper clips, coins, keys, nails, screws or other small metal objects that can make a connection from one terminal to another.** Shorting the battery terminals together may cause burns or a fire.
- d) **Under abusive conditions, liquid may be ejected from the battery; avoid contact.** If contact accidentally occurs, flush with water. If liquid contacts eyes, additionally seek medical help. Liquid ejected from the battery may cause irritation or burns.
- 6) Service**
- a) **Have your power tool serviced by a qualified repair person using only identical replacement parts.** This will ensure that the safety of the power tool is maintained.
- ADDITIONAL SAFETY WARNINGS FOR JIGSAWS**
- Do not work materials containing asbestos. Asbestos is considered carcinogenic.
 - Wear safety goggles, hearing protection and if necessary other protective means, such as safety gloves, safety shoes, etc.
 - Before use, remove all nails and other metal objects from the workpiece.
 - Make sure that the workpiece is properly supported or fixed.
 - Do not use the machine without the guard.
 - Inspect the saw blade before each use. Do not use saw blades which are bent, cracked, or otherwise damaged.
 - Make sure that the saw blade is properly mounted.

- Only use saw blades that are suitable for use with the machine.
- Only use saw blades with the correct dimensions.
- Do not use other accessories than saw blades.
- Do not use saw blades made of HSS steel.
- Do not use the machine on workpieces requiring a maximum sawing depth that exceeds the maximum sawing depth of the saw blade.
- Hold the machine by the insulated gripping surfaces where the saw blade may contact hidden wiring or the mains cable. If the saw blade contacts a 'live' wire, the exposed metal parts of the machine can also become 'live'. Risk of electric shock.
- Let the machine run at no load in a safe area after mounting the saw blade. If the machine vibrates strongly, immediately switch off the machine, remove the mains plug from the mains, and try to solve the problem.
- Beware that the saw blade continues to rotate for a short period after switching off the machine. Do not attempt to bring the saw blade to a standstill yourself.

Kickback

Kickback is the upward and backward movement of the saw blade when the saw blade unexpectedly touches an object. Securely hold the machine during use. Keep your attention focused on the operation.

Kickback is usually caused by:

- unintentionally touching hard objects or materials with the rotating saw blade;
- a blunt saw blade;
- a saw blade that is not properly mounted;
- sawing into a previous cut;
- a lack of attention to the operation;
- an instable stance.

Electrical safety



Always check that the voltage of the power supply corresponds to the voltage on the rating plate.

- Do not use the machine if the mains cable or the mains plug is damaged.
- Only use extension cables that are suitable for the power rating of the machine with a minimum thickness of 1.5 mm². If you use an extension cable reel, always fully unroll the cable.

2. MACHINE INFORMATION

Intended use

Your jigsaw has been designed for sawing wood, metal, plastics, ceramics, rubber, etc. to any required size and in any required shape.

TECHNICAL SPECIFICATIONS

Model No.	JS502AC
Voltage	230-240 V~
Frequency	50Hz
Power	550 W
No load speed	0 - 3.000/min
Max. sawing depth (wood)	65 mm
Mitre angle	- 45 to 45°
Sound pressure (Lpa)	85 dB(A) K=3dB
Acoustic power (Lwa)	96 dB(A) K=3dB
Vibration (wood)	11.71 m/s ² K=1.5 m/s ²
Vibration (metal)	8.81 m/s ² K=1.5 m/s ²



Wear hearing protection.

Vibration level

The vibration emission level stated in this instruction manual has been measured in accordance with a standardized test given in EN60745; it may be used to compare one tool with another and as a preliminary assessment of exposure to vibration when using the tool for the applications mentioned.

- Using the tool for different applications, or with different or poorly maintained accessories, may significantly increase the exposure level.
- The times when the tool is switched off or when it is running but not actually doing the job, may significantly reduce the exposure level.

Protect yourself against the effects of vibration by maintaining the tool and its accessories, keeping your hands warm, and organizing your work patterns.

DESCRIPTION

The numbers in the text refer to the diagrams on pages 2 - 3

Fig. A

1. On/off switch
2. Lock-on button

3. Speed adjustment wheel
4. Guard
5. Saw blade holder
6. Saw blade guide roller
7. Base plate
8. Hex key
9. Hex key holder
10. Dust extraction connection
11. Dust adapter
12. Grip

3. ASSEMBLY



Before assembly, always switch off the machine and remove the mains plug from the mains.

Mounting and removing the saw blade

Refer to the table below to select the required saw blade.

Saw blade	Material
Coarse	Wood
Medium	Wood
Fine	Steel, aluminium, plastic
Very fine	Wood (curves)

Remove the guard from the machine to change the saw blade.



Always saw with guard.

Fitting a saw blade (Fig. B)

The machine is equipped with a quick blade exchange system.

- Turn the clamping ring (13) of the saw blade holder (5) completely to the left, in order to open up the holder.
- Insert the saw blade (15) in the saw blade holder (5) as far as possible. The teeth of the saw blade (15) must point upward and forward. The smooth side of the saw blade must engage in the slot of the guide roller (6).
- Release the clamping ring (13) to close the holder.
- Make sure when changing the saw blade that the blade holder (5) is free of material debris (such as splinters of wood or metal).
- Before use, always check that the saw blade is securely fixed.

Removing the saw blade

- Turn the clamping ring (13) of the saw blade holder (5) completely to the left, in order to open up the holder.
- Remove the saw blade from its holder.
- Release the clamping ring (13) to close the holder.

4. OPERATION

Switching on and off (Fig. C)

- To switch on the machine, press the on/off switch (1).
- To switch the machine to continuous mode, keep the on/off switch (1) pressed and simultaneously press the lock-on button (2).
- To switch off continuous mode, press the on/off switch (1) again.
- To switch off the machine, release the on/off switch (1).

Setting the speed (Fig. C)

The speed adjustment wheel (3) is used for setting the speed. The ideal speed depends on the profile and the teeth of the saw blade and on the material to be worked.



Do not set the speed during use.

- Turn the speed adjustment wheel (3) to the required position.
 - For hard materials, use a saw blade with fine teeth and select a lower speed.
 - For soft materials, use a saw blade with coarse teeth and select a higher speed.

Setting the mitre angle (Fig. D)

The mitre angle is variable between 0° and 45°. The mitre angle can be read from the scale.



Do not set the mitre angle during use.

- Slacken the Hex screws(14) using the Hex key(8).
- Tilt the Base plate (7) to the required position.
- Tighten the Hex screws(14) using the Hex key(8).

Dust extraction (Fig. E)

- Insert the dust extraction adapter (11) into the dust extraction connection (10).

- Connect the hose of a vacuum cleaner to the dust extraction adapter (11).

Hints for optimum use

- Clamp the workpiece. Use a clamping device for small workpieces.
- Draw a line to define the direction in which to guide the saw blade.
- Firmly hold the machine by the grip.
- Set the sawing speed.
- Set the mitre angle.
- Switch on the machine.
- Wait until the machine has reached full speed.
- Place the saw shoe on the workpiece.
- Slowly move the machine along the pre-drawn line, firmly pressing the saw shoe against the workpiece.
- Do not apply too much pressure on the machine. Let the machine do the work.
- Switch off the machine and wait for the machine to come to a complete standstill before putting the machine down.

5. MAINTENANCE



Always disconnect the machine from the main power supply before carrying out any maintenance work.

Clean the machine casings regularly with a soft cloth, preferably after each use. Make sure that the ventilation openings are free of dust and dirt. Remove very persistent dirt using a soft cloth moistened with soapsuds. Do not use any solvents such as gasoline, alcohol, ammonia, etc. Chemicals such as these will damage the synthetic components.



*Regularly clean the saw blade to avoid inaccuracies during use.
Regularly lubricate the guide roller.*

Replacing the saw blade (Fig. B)

Worn or damaged saw blades must be replaced immediately.



Only use sharp and undamaged saw blades.

- To remove the old saw blade (15), proceed as described in the section „fitting and removing saw blade“.
- To mount the new saw blade (15), proceed as

described in the section „fitting and removing saw blade“.

ENVIRONMENT



Faulty and/or discarded electrical or electronic apparatus have to be collected at the appropriate recycling locations.

Only for EC countries

Do not dispose of power tools into domestic waste. According to the European Guideline 2012/19/EC for Waste Electrical and Electronic Equipment and its implementation into national right, power tools that are no longer usable must be collected separately and disposed of in an environmentally friendly way.

WARRANTY

VONROC products are developed to the highest quality standards and are guaranteed free of defects in both materials and workmanship for the period lawfully stipulated starting from the date of original purchase. Should the product develop any failure during this period due to defective material and/or workmanship then contact VONROC directly.

The following circumstances are excluded from this guarantee:

- Repairs and or alterations have been made or attempted to the machine by unauthorized service centers;
- Normal wear and tear;
- The tool has been abused, misused or improperly maintained;
- Non-original spare parts have been used.

This constitutes the sole warranty made by company either expressed or implied. There are no other warranties expressed or implied which extend beyond the face hereof, herein, including the implied warranties of merchantability and fitness for a particular purpose. In no event shall VONROC be liable for any incidental or consequential damages. The dealers remedies shall be limited to repair or replacement of nonconforming units or parts.

The product and the user manual are subject to change. Specifications can be changed without further notice.

1. SICHERHEITSANWEISUNGEN

Lesen Sie die beiliegenden Sicherheitsanweisungen, die zusätzlichen Sicherheitsanweisungen sowie diese Bedienungsanleitung sorgfältig durch.

Bei Nichtbeachten der Sicherheitsanweisungen und der Bedienungsanleitung kann es zu einem Stromschlag, einem Brand und/oder schweren Verletzungen kommen. Bewahren Sie die Sicherheitsanweisungen und die Bedienungsanleitung zur künftigen Bezugnahme sicher auf.

Folgende Symbole werden im Benutzerhandbuch oder auf dem Produkt verwendet:



Benutzerhandbuch/Bedienungsanleitung lesen.



Lebens- und Verletzungsgefahr und Gefahr von Beschädigungen am Werkzeug/Gerät bei Nichteinhaltung der Anweisungen in dieser Bedienungsanleitung.



Gefahr eines Stromschlags.



Ziehen Sie sofort den Netzstecker aus der Steckdose, falls das Netzkabel beschädigt wird sowie bei der Reinigung und Wartung.



*Tragen Sie eine Schutzbrille.
Tragen Sie einen Gehörschutz.*



Tragen Sie eine Staubmaske.



Nicht im Regen benutzen.



Werkzeug/Gerät der Schutzklasse II - schutzisoliert - kein Schutzkontaktanschluss erforderlich.



Zuschauer fernhalten



Produkt vorschriftsmäßig entsorgen, nicht über den Hausmüll.



Das Produkt entspricht den geltenden Sicherheitsnormen der europäischen Richtlinien.

ALLGEMEINE SICHERHEITSHINWEISE



ACHTUNG! Lesen Sie alle Sicherheitshinweise und Anweisungen. Fehler bei der Einhaltung der nachstehend aufgeführten Anweisungen können elektrischen Schlag, Brand und/oder schwere Verletzungen verursachen.

Bewahren Sie diese Anweisungen gut auf.

Der nachfolgend verwendete Begriff „Elektrowerkzeug“ bezieht sich auf netzbetriebene Elektrowerkzeuge (mit Netzkabel) und auf akkubetriebene Elektrowerkzeuge (ohne Netzkabel).

1) Arbeitsplatz

- a) **Halten Sie Ihren Arbeitsbereich sauber und aufgeräumt.** Unordnung und unbeleuchtete Arbeitsbereiche können zu Unfällen führen.
- b) **Arbeiten Sie mit dem Gerät nicht in explosionsgefährdeter Umgebung, in der sich brennbare Flüssigkeiten, Gase oder Staub befinden.** Elektrowerkzeuge erzeugen Funken, die den Staub oder die Dämpfe entzünden können.
- c) **Halten Sie Kinder und andere Personen während der Benutzung des Elektrowerkzeugs fern.** Bei Ablenkung können Sie die Kontrolle über das Gerät verlieren.

2) Elektrische Sicherheit

- a) **Der Anschlussstecker des Gerätes muss in die Steckdose passen.** Der Netzstecker darf in keiner Weise verändert werden. Verwenden Sie keine Adapterstecker gemeinsam mit geschützten Geräten. Unveränderte Netzstecker und passende Steckdosen verringern das Risiko eines elektrischen Schlages.
- b) **Vermeiden Sie Körperkontakt mit geerdeten Oberflächen, wie von Rohren, Heizungen, Herden und Kühlschränken.** Es besteht ein erhöhtes Risiko durch elektrischen Schlag, wenn Ihr Körper geerdet ist.
- c) **Halten Sie das Gerät von Regen oder Nässe fern.** Das Eindringen von Wasser in ein Elektrogerät erhöht das Risiko eines elektrischen Schlages.
- d) **Zweckentfremden Sie das Netzkabel nicht, um das Gerät zu tragen, aufzuhängen oder um den Netzstecker aus der Steckdose zu ziehen. Halten Sie das Netzkabel fern von Hitze, Öl, scharfen Kanten oder sich bewegenden Geräteteilen.** Beschädigte oder verwickelte Netzkabel erhöhen das Risiko eines elektrischen Schlages.

- e) **Wenn Sie mit einem Elektrowerkzeug im Freien arbeiten, verwenden Sie nur Verlängerungskabel, die auch für den Außenbereich zugelassen sind.** Die Anwendung eines für den Außenbereich geeigneten Verlängerungskabels verringert das Risiko eines elektrischen Schlags
- f) **Wenn sich Arbeiten mit einem Elektrowerkzeug in feuchten Umgebungen nicht vermeiden lassen, verwenden Sie eine Stromversorgung mit einer Fehlerstrom-Schutzeinrichtung (RCD).** Durch die Verwendung einer RCD wird die Gefahr eines elektrischen Schlags verringert.
- 3) Sicherheit von Personen**
- a) **Seien Sie aufmerksam. Achten Sie darauf, was Sie tun, und gehen Sie mit Vernunft an die Arbeit mit einem Elektrowerkzeug. Benutzen Sie das Gerät nicht, wenn Sie müde sind oder unter dem Einfluss von Drogen, Alkohol oder Medikamenten stehen.** Ein Moment der Unachtsamkeit beim Gebrauch des Gerätes kann zu ernsthaften Verletzungen führen.
- b) **Tragen Sie persönliche Schutzausrüstung und immer eine Schutzbrille.** Das Tragen persönlicher Schutzausrüstung, wie Staubmaske, rutschfeste Sicherheitsschuhe, Schutzhelm oder Gehörschutz, je nach Art und Einsatz des Elektrowerkzeuges, verringert das Risiko von Verletzungen.
- c) **Vermeiden Sie eine unbeabsichtigte Inbetriebnahme. Vergewissern Sie sich, dass der Schalter in der Position „AUS(0)“ ist, bevor Sie den Netzstecker in die Steckdose stecken.** Wenn Sie beim Tragen des Geräts den Finger am Schalter haben oder das Gerät eingeschaltet an die Stromversorgung anschließen, kann dies zu Unfällen führen.
- d) **Entfernen Sie Einstellwerkzeuge oder Schraubenschlüssel, bevor Sie das Gerät einschalten.** Ein Werkzeug oder Schlüssel, der sich in einem drehenden Geräteteil befindet, kann zu Verletzungen führen.
- e) **Überschätzen Sie sich nicht. Sorgen Sie für einen sicheren Stand und halten Sie jederzeit das Gleichgewicht.** Dadurch können Sie das Gerät in unerwarteten Situationen besser kontrollieren.
- f) **Tragen Sie geeignete Kleidung. Tragen Sie keine weite Kleidung oder Schmuck. Halten Sie Haare, Kleidung und Handschuhe fern von sich bewegenden Teilen.** Lockere Kleidung, Schmuck oder lange Haare können von sich bewegenden Teilen erfasst werden.
- g) **Wenn Staubabsaug- und -auffangeinrichtungen montiert werden können, vergewissern Sie sich, dass diese angeschlossen sind und richtig verwendet werden.** Das Verwenden dieser Einrichtungen verringert Gefährdungen durch Staub.
- 4) Sorgfältiger Umgang und Gebrauch von Elektrowerkzeugen**
- a) **Überlasten Sie das Gerät nicht. Verwenden Sie für Ihre Arbeit das dafür bestimmte Elektrowerkzeug.** Mit dem passenden Elektrowerkzeug arbeiten Sie besser und sicherer im angegebenen Leistungsbereich.
- b) **Benutzen Sie kein Elektrowerkzeug, dessen Schalter defekt ist.** Ein Elektrowerkzeug, das sich nicht mehr ein- oder ausschalten lässt, ist gefährlich und muss repariert werden.
- c) **Ziehen Sie den Netzstecker aus der Steckdose, bevor Sie Geräteeinstellungen vornehmen, Zubehörteile wechseln oder das Gerät weglegen.** Diese Vorsichtsmaßnahme verhindert den unbeabsichtigten Start des Geräts.
- d) **Bewahren Sie unbenutzte Elektrowerkzeuge außerhalb der Reichweite von Kindern auf. Lassen Sie Personen das Gerät nicht benutzen, die mit diesem nicht vertraut sind oder diese Anweisungen nicht gelesen haben.** Elektrowerkzeuge sind gefährlich, wenn Sie von unerfahrenen Personen benutzt werden.
- e) **Pflegen Sie das Gerät mit Sorgfalt. Kontrollieren Sie, ob bewegliche Geräteteile einwandfrei funktionieren und nicht klemmen, ob Teile gebrochen oder so beschädigt sind, dass die Funktion des Gerätes beeinträchtigt ist. Lassen Sie beschädigte Teile vor dem Einsatz des Gerätes reparieren.** Viele Unfälle haben ihre Ursache in schlecht gewarteten Elektrowerkzeugen.
- f) **Halten Sie Schneidwerkzeuge scharf und sauber.** Sorgfältig gepflegte Schneidwerkzeuge mit scharfen Schneidkanten verklemmen sich weniger und sind leichter zu führen.
- g) **Verwenden Sie Elektrowerkzeug, Zubehör, Einsatzwerkzeuge usw. entsprechend diesen Anweisungen und so, wie es für diesen speziellen Gerätetyp vorgeschrieben ist. Berücksichtigen Sie dabei die Arbeitsbedingungen und die auszuführende Tätigkeit.** Der Gebrauch von Elektrowerkzeugen für andere als die vorgesehenen Anwendungen kann zu gefährlichen Situationen führen.

5) Umgang mit Akkuwerkzeugen

- a) **Zum Laden ist ausschließlich das vom Hersteller angegebene Ladegerät zu verwenden.** Ein Ladegerät, das für eine Art von Akkus geeignet ist, kann bei Verwendung mit einer anderen Art von Akku Brandgefahr verursachen.
- b) **Elektrowerkzeuge dürfen nur mit speziell dazu bestimmten Akkus verwendet werden,** da bei der Verwendung anderer Akkus Verletzungs- und Brandgefahr entstehen kann.
- c) **Wenn der Akku nicht in Gebrauch ist, ist er von Büroklammern, Münzen, Schlüssel, Nägel, Schrauben und anderen kleinen Metallobjekten fernzuhalten, die eine Verbindung zwischen den Polen bilden können.** Kurzschließen der Pole kann Brand oder Verbrennungen verursachen.
- d) **Bei falschem Umgang mit dem Akku kann Flüssigkeit aus dem Akku austreten. Die Berührung dieser Flüssigkeit ist zu vermeiden. Bei Berührung den betroffenen Körperteil mit Wasser abspülen. Bei Berührung der Flüssigkeit mit den Augen muss zusätzlich** ärztliche Hilfe gerufen werden. Die Akkuflüssigkeit kann Reizungen oder Verbrennungen verursachen.

6) Service

- a) **Lassen Sie Ihre Werkzeuge durch einen qualifizierten Reparaturtechniker ausschließlich mit identischen Ersatzteilen warten.** So lässt sich eine gleich bleibende Sicherheit des Elektrowerkzeugs gewährleisten.

ZUSÄTZLICHE SICHERHEITSHINWEISE FÜR STICHSÄGEN

- Bearbeiten Sie keine asbesthaltigen Materialien. Asbest wird als krebserregend eingestuft.
- Tragen Sie eine Schutzbrille, einen Gehörschutz und gegebenenfalls weitere Schutzausrüstung wie Sicherheitshandschuhe, Sicherheitsschuhe, usw.
- Entfernen Sie vor dem Gebrauch alle Nägel und sonstigen Metallgegenstände aus dem Werkstück.
- Vergewissern Sie sich, dass das Werkstück richtig gestützt bzw. fixiert ist.
- Verwenden Sie die Maschine nicht ohne Schutzeinrichtung.
- Überprüfen Sie das Sägeblatt vor jedem Gebrauch. Verwenden Sie keine verbogenen, gerissenen oder anderweitig beschädigten Sägeblätter.
- Vergewissern Sie sich, dass das Sägeblatt richtig angebracht ist.

- Verwenden Sie nur Sägeblätter, die für den Gebrauch mit der Maschine geeignet sind.
- Verwenden Sie nur Sägeblätter mit den richtigen Maßen.
- Verwenden Sie kein anderes Zubehör als Sägeblätter.
- Verwenden Sie keine aus HSS-Stahl bestehenden Sägeblätter.
- Verwenden Sie die Maschine nicht auf Werkstücken, bei denen eine maximale Säge-tiefe erforderlich ist, die die maximale Sägetiefe des Sägeblatts überschreitet.
- Halten Sie die Maschine an den isolierten Griff-flächen, falls die Gefahr besteht, dass das Sägeblatt versteckte Leitungen oder das Netzkabel berühren könnte. Falls das Sägeblatt einen spannungsführenden Draht berührt, können die freiliegenden Metallteile der Maschine ebenfalls spannungsführend werden. Gefahr eines Stromschlags.
- Lassen Sie die Maschine nach dem Anbringen des Sägeblatts in einem sicheren Bereich im Leerlauf laufen. Vibriert die Maschine stark, schalten Sie sie sofort aus, ziehen Sie den Netzstecker aus der Steckdose und versuchen Sie, das Problem zu beheben.
- Seien Sie sich darüber im Klaren, dass das Sägeblatt nach dem Abschalten der Maschine noch etwas nachläuft. Versuchen Sie nicht, das Sägeblatt selbst zum Stillstand zu bekommen.

Rückschlag

Als Rückschlag wird die Auf- und Rückwärtsbewegung des Sägeblatts bezeichnet, wenn dieses unerwartet auf einen Gegenstand trifft. Halten Sie die Maschine beim Gebrauch sicher fest. Konzentrieren Sie sich auf die Arbeit.

Ein Rückschlag wird normalerweise verursacht durch:

- ein unbeabsichtigtes Berühren harter Gegenstände oder Materialien mit dem sich bewegenden Sägeblatt;
- ein stumpfes Sägeblatt;
- ein nicht richtig montiertes Sägeblatt;
- Sägearbeiten in einem vorherigen Schnitt;
- mangelnde Aufmerksamkeit bei der Arbeit;
- eine instabile Haltung.

Elektrische Sicherheit



Achten Sie stets darauf, dass die Spannung der Stromversorgung mit der Spannung auf dem Typenschild übereinstimmt.

- Verwenden Sie die Maschine nicht, wenn das Netzkabel oder der Netzstecker beschädigt ist.
- Verwenden Sie nur Verlängerungskabel, die für die Leistungsaufnahme der Maschine geeignet sind und eine Mindestaderstärke von 1,5 mm² haben. Falls Sie eine Kabeltrommel verwenden, rollen Sie das Kabel immer vollständig ab.

2. ANGABEN ZUM WERKZEUG

Verwendungszweck

Ihre Stichsäge wurde entwickelt, um Holz, Metall, Kunststoffen, Keramik, Gummi usw. in die gewünschte Größe und Form zu sägen.

TECHNISCHE DATEN

Modellnummer	JS502AC
Spannung	230-240 V~
Frequenz	50Hz
Leistung	550 W
Leerlaufdrehzahl	0 - 3.000/min
Max. Sägetiefe (Holz)	65 mm
Gehringwinkel	- 45 to 45°
Schalldruck (Lpa)	85 dB(A) K=3dB
Schalleistung (Lwa)	96 dB(A) K=3dB
Vibrationen (Holz)	11,71 m/s ² K=1,5 m/s ²
Vibrationen (Metall)	8,81 m/s ² K=1,5 m/s ²



Tragen Sie einen Gehörschutz.

Vibrationsintensität

Die in dieser Bedienungsanleitung angegebene Vibrationsintensität wurde mit einem standardisierten Test gemäß EN60745 gemessen. Anhand dieser Größe können Werkzeuge miteinander verglichen werden. Außerdem eignet sich diese Größe für eine erste Beurteilung der Vibrationsbelastung bei Verwendung des Werkzeugs für die angegebenen Anwendungszwecke.

- Bei Verwendung des Werkzeugs für andere Anwendungen oder mit anderem oder unzureichend gewartetem Zubehör kann sich die Vibrationsbelastung erheblich erhöhen.
- Wenn das Werkzeug ausgeschaltet ist, oder wenn es eingeschaltet ist, jedoch nicht genutzt wird, kann sich die Vibrationsbelastung erheblich verringern.

Schützen Sie sich vor den Auswirkungen der Vibration durch Wartung des Werkzeugs und des Zubehörs, halten Sie Ihre Hände warm, und organisieren Sie Ihren Arbeitsablauf.

BESCHREIBUNG

Die Zahlen im Text beziehen sich auf die Abbildungen auf den Seiten 2 - 3.

Abb. A

1. Ein-/Aus-Schalter
2. Ausschaltsperr
3. Geschwindigkeitseinstellrad
4. Schutzvorrichtung
5. Sägeblatthalter
6. Sägeblattführungsrolle
7. Basisplatte
8. Inbusschlüssel
9. Inbusschlüsselhalter
10. Staubabsauganschluss
11. Adapter für Staubabsaugvorrichtung
12. Griff

3. ZUSAMMENBAU



Schalten Sie die Maschine vor der Montage aus und ziehen Sie den Netzstecker aus der Steckdose.

Anbringen und Abnehmen des Sägeblatts

Die Wahl des benötigten Sägeblatts können Sie der Tabelle unten entnehmen.

Sägeblatt	Material
Grob	Holz
Mittel	Holz
Fein	Stahl, Aluminium, Kunststoff
Sehr fein	Holz (Kurven)

Nehmen Sie die Schutzvorrichtung von der Maschine ab, wenn Sie das Sägeblatt austauschen wollen.



Nur mit angebrachter Schutzvorrichtung sägen.

Anbringen eines Sägeblatts (Abb. B)

Die Maschine ist mit einem Schnellwechselsystem für Sägeblätter ausgestattet.

- Drehen Sie den Spannring (13) der Sägeblatthalterung (5) vollständig nach links, um die Halterung zu öffnen.
- Setzen Sie das Sägeblatt (15) so weit wie möglich in die Sägeblatthalterung (5) ein. Die Zähne des Sägeblatts (15) müssen nach oben und nach vorne zeigen. Die glatte Seite des Sägeblatts muss in dem Schlitz der Führungsrolle (6) einrasten.
- Lassen Sie den Spannring (13) los, um die Halterung zu schließen.
- Achten Sie beim Austauschen des Sägeblatts (5) darauf, dass der Sägeblatthalter frei von Materialrückständen ist (zum Beispiel Holz- oder Metallsplinter).
- Überprüfen Sie vor Gebrauch immer, ob das Sägeblatt sicher angebracht ist.

Abnehmen des Sägeblatts

- Drehen Sie den Spannring (13) der Sägeblatthalterung (5) vollständig nach links, um die Halterung zu öffnen.
- Nehmen Sie das Sägeblatt von der Halterung ab.
- Lassen Sie den Spannring (13) los, um die Halterung zu schließen.

4. BETRIEB

Ein- und Ausschalten (Abb. C)

- Um die Maschine einzuschalten, drücken Sie auf den Ein-/Aus-Schalter (1).
- Um die Maschine auf Dauerbetrieb zu schalten, halten Sie den Ein-/Aus-Schalter (1) gedrückt und drücken Sie gleichzeitig auf die Ausschaltsperre (2).
- Um den Dauerbetrieb auszuschalten, drücken Sie erneut auf den Ein-/Aus-Schalter (1).
- Um die Maschine auszuschalten, lassen Sie den Ein-/Aus-Schalter (1) los.

Einstellung der Geschwindigkeit (Abb. C)

Das Geschwindigkeitseinstellrad (3) wird zur Einstellung der Geschwindigkeit verwendet. Die ideale Geschwindigkeit hängt vom Profil und den Zähnen des Sägeblatts sowie vom zu bearbeitenden Material ab.



Stellen Sie die Geschwindigkeit nicht während des Gebrauchs ein.

- Drehen Sie das Geschwindigkeitseinstellrad (3) auf die erforderliche Position.

- Verwenden Sie für harte Materialien ein Sägeblatt mit feinen Zähnen und wählen Sie eine niedrigere Geschwindigkeit.
- Verwenden Sie für weiche Materialien ein Sägeblatt mit groben Zähnen und wählen Sie eine höhere Geschwindigkeit.

Einstellen des Gehrungswinkels (Abb. D)

Der Gehrungswinkel ist variabel zwischen 0° und 45° einstellbar. Der Gehrungswinkel kann an der Skala abgelesen werden.



Stellen Sie den Gehrungswinkel nicht während des Gebrauchs ein.

- Lockern Sie die Sechskantschrauben (14) mit Hilfe des Sechskantschlüssels (8).
- Kippen Sie die Basisplatte (7) in die gewünschte Position.
- Ziehen Sie die Sechskantschrauben (14) mit Hilfe des Sechskantschlüssels (8) fest.

Staubabsaugung (Abb. E)

- Stecken Sie den Staubabsaugadapter (11) in die Staubabsaugverbindung (10).
- Verbinden Sie den Schlauch eines Staubsaugers mit dem Staubabsaugadapter (11).

Ratschläge für optimale Arbeitsergebnisse

- Spannen Sie das Werkstück ein. Verwenden Sie für kleine Werkstücke eine Spannvorrichtung.
- Zeichnen Sie eine Linie, um die Richtung vorzugeben, in der das Sägeblatt geführt wird.
- Halten Sie die Maschine sicher am Griff fest.
- Stellen Sie die Sägegeschwindigkeit ein.
- Stellen Sie den Gehrungswinkel ein.
- Stellen Sie die Pendelhubposition ein.
- Schalten Sie die Maschine ein.
- Warten Sie, bis die Maschine ihre volle Geschwindigkeit erreicht hat.
- Setzen Sie den Sägeschuh auf das Werkstück.
- Bewegen Sie die Maschine langsam die vorgezeichnete Linie entlang, wobei Sie den Sägeschuh fest gegen das Werkstück drücken.
- Üben Sie nicht zu viel Druck auf die Maschine aus. Lassen Sie die Maschine die Arbeit verrichten.
- Schalten Sie die Maschine aus und warten Sie, bis sie vollkommen zum Stillstand gekommen ist, bevor Sie sie ablegen.

5. WARTUNG



Trennen Sie die Maschine vom Netz, wenn Sie am Mechanismus Wartungsarbeiten ausführen müssen.

Reinigen Sie das Werkzeuggehäuse regelmäßig mit einem weichen Lappen, vorzugsweise nach jeder Verwendung. Stellen Sie sicher, dass die Lüftungsöffnungen frei von Staub und Schmutz sind. Entfernen Sie anhaftenden Schmutz mit einem weichen Lappen, der leicht mit Seifenwasser befeuchtet wurde. Verwenden Sie keine Lösungsmittel wie Benzin, Alkohol, Ammoniak usw., da Chemikalien dieser Art die Kunststoffteile beschädigen.



Reinigen Sie regelmäßig das Sägeblatt, um Ungenauigkeiten beim Gebrauch zu vermeiden. Schmieren Sie regelmäßig die Führungsrolle.

Erneuerung des Sägeblatts (Abb. B)

Verschlossene oder beschädigte Sägeblätter müssen unverzüglich erneuert werden.



Verwenden Sie ausschließlich scharfe und unbeschädigte Sägeblätter.

- Zum Entfernen eines alten Sägeblatts (15) gehen Sie wie im Abschnitt „Anbringen und Abnehmen des Sägeblatts“ vor.
- Zum Montieren eines neuen Sägeblatts (15) gehen Sie wie im Abschnitt „Anbringen und Abnehmen des Sägeblatts“ vor.

UMWELTSCHUTZ



Schadhafte und/oder zu entsorgende elektrische oder elektronische Werkzeuge und Geräte müssen an den dafür vorgesehenen Recycling-Stellen abgegeben werden.

Nur für EG-Länder

Entsorgen Sie Elektrowerkzeuge nicht über den Hausmüll. Entsprechend der EU-Richtlinie 2012/19/EG über Elektro- und Elektronik-Altgeräte sowie der Umsetzung in nationales Recht müssen Elektrowerkzeuge, die nicht mehr im Gebrauch sind, getrennt gesammelt und umweltschonend entsorgt werden.

GARANTIE

VONROC-Produkte werden nach den höchsten Qualitätsstandards entwickelt und sind für den gesetzlich festgelegten Zeitraum, ausgehend von dem ursprünglichen Kaufdatum, garantiert frei von Fehlern in Material und Ausführung. Sollte das Produkt in diesem Zeitraum aufgrund von Material- und/oder Verarbeitungsmängeln Fehler aufweisen, wenden Sie sich bitte direkt an VONROC Kundendienst.

Folgende Umstände sind von der Garantie ausgeschlossen:

- Reparaturen und oder Änderungen an der Maschine, die durch nicht-autorisierte Servicestellen vorgenommen oder versucht wurden.
- Normale Abnutzung und Verschleiß.
- Das Werkzeug wurde übermäßig beansprucht, missbräuchlich verwendet oder falsch gewartet.
- Es wurden keine Original-Ersatzteile verwendet.

Dies stellt die einzige Gewährleistung des Unternehmens dar, sowohl ausdrücklich als auch implizit. Es gibt keine anderen ausdrücklichen oder stillschweigenden Garantien, die über das hier Genannte hinausgehen, einschließlich der stillschweigenden Garantien der Marktgängigkeit oder Eignung für einen bestimmten Zweck. In keinem Fall ist VONROC haftbar für Neben- oder Folgeschäden. Die Rechtsmittel des Händlers beschränken sich auf Reparatur oder Ersatz fehlerhafter Einheiten oder Teile.

Am Produkt und am Benutzerhandbuch können Änderungen vorgenommen werden. Die technischen Daten können sich ohne Vorankündigung ändern.

1. VEILIGHEIDSVOORSCHRIFTEN

Lees de bijgesloten veiligheidswaarschuwingen, de aanvullende veiligheidswaarschuwingen en de instructies. Het niet opvolgen van de veiligheidswaarschuwingen kan elektrische schokken, brand en/of ernstig letsel tot gevolg hebben. Bewaar de veiligheidswaarschuwingen en instructies als naslagwerk voor later.

De volgende symbolen worden gebruikt in de gebruikershandleiding of op het product:



Lees de gebruikershandleiding.



Gevaar voor lichamelijk letsel, overlijden of schade aan de machine wanneer de instructies in deze handleiding niet worden opgevolgd.



Gevaar voor elektrische schokken



Verwijder onmiddellijk de netstekker uit het stopcontact indien de netkabel beschadigd raakt en tijdens reiniging en onderhoud.



*Draag een veiligheidsbril.
Draag gehoorbescherming.*



Draag een stofmasker.



Niet gebruiken in regen



Klasse II apparaat - Dubbel geïsoleerd - Een geaarde stekker is niet noodzakelijk.



Houd omstanders op afstand



Werp het product niet weg in ongeschikte containers.



Het product is in overeenstemming met de van toepassing zijnde veiligheidsnormen in de Europese richtlijnen.

ALGEMENE VEILIGHEIDSVOORSCHRIFTEN



WAARSCHUWING! Lees alle veiligheidswaarschuwingen en alle instructies.

Het niet opvolgen van onderstaande instructies kan leiden tot een elektrische schok, brand en/of ernstig persoonlijk letsel.

Bewaar deze instructies goed.

De term “elektrisch gereedschap” in onderstaande waarschuwingen heeft betrekking op zowel apparatuur met een vaste elektriciteitskabel als op apparatuur met een accu (draadloze apparatuur).

1) Werkgebied

- a) **Zorg voor een opgeruimde en goed verlichte werkomgeving.** Rommelige en donkere werkomgevingen leiden tot ongelukken
- b) **Gebruik elektrisch gereedschap nooit in een omgeving waar explosiegevaar bestaat, zoals in de nabijheid van ontvlambare vloeistoffen, gassen, dampen of andere stoffen.** Elektrische gereedschappen kunnen vonken veroorzaken, die deze stoffen tot ontbranding kunnen brengen.
- c) **Wanneer u elektrisch gereedschap gebruikt, houd dan kinderen en omstanders op afstand.** Wanneer u wordt afgeleid, kunt u de controle over het gereedschap verliezen.

2) Elektrische veiligheid

- a) **Stekkers van elektrische gereedschappen moeten probleemloos passen op het stopcontact. Breng nooit wijzigingen aan in of aan de stekker. Gebruik geen adapters voor geaarde elektrische gereedschappen.** Standaardstekkers en passende stopcontacten verkleinen de kans op een elektrische schok.
- b) **Voorkom lichamelijk contact met geaarde oppervlakken van bijvoorbeeld pijpen, leidingen, radiatoren, fornuizen en koelkasten.** Wanneer uw lichaam geaard is, wordt de kans op een elektrische schok groter.
- c) **Stel elektrische gereedschappen nooit bloot aan regen of vocht.** Wanneer er water binnendringt in een elektrisch gereedschap, wordt de kans op een elektrische schok groter.
- d) **Gebruik het snoer niet om het elektrisch gereedschap te dragen, te verplaatsen of de stekker uit het stopcontact te trekken. Bescherm het snoer tegen olie, warmte, scherpe randen en bewegende delen.** Beschadigde of vastzittende snoeren vergroten de kans op een elektrische schok.
- e) **Wanneer u elektrische gereedschappen buiten gebruikt, gebruik dan een verlengkabel die geschikt is voor buitengebruik.** Door een kabel te gebruiken die geschikt is voor buitengebruik, wordt de kans op een elektrische schok kleiner.
- f) **Gebruik een aardlekbeveiliging (RCD) als niet te voorkomen is dat een powertool moet worden**

gebruikt in een vochtige omgeving. Gebruik van een RCD vermindert het risico van elektrische schokken.

3) Persoonlijke veiligheid

- a) **Blijf altijd alert, kijk goed wat u doet en gebruik uw gezonde verstand wanneer u een elektrisch gereedschap gebruikt. Gebruik geen elektrische gereedschappen wanneer u moe bent, of drugs, alcohol of medicijnen hebt gebruikt.** Eén moment van onachtzaamheid bij het gebruik van elektrische gereedschappen kan ernstige verwondingen tot gevolg hebben.
- b) **Gebruik persoonlijke beschermingsmiddelen.** Draag altijd een veiligheidsbril. Een gepast gebruik van veiligheidsvoorzieningen, zoals een stof masker, speciale werkschoenen met antislipzolen, een veiligheidshelm en gehoorbescherming verkleinen de kans op persoonlijk letsel.
- c) **Voorkom dat het gereedschap per ongeluk wordt gestart. Zorg dat de schakelaar op de UITpositie staat, voordat u de stekker in het stopcontact steekt.** Draag elektrisch gereedschap nooit met uw vinger op de schakelaar en steek ook nooit de stekker van ingeschakelde elektrische gereedschappen in het stopcontact: dit leidt tot ongelukken.
- d) **Verwijder alle instel en andere sleutels uit het elektrisch gereedschap voordat u hem inschakelt.** Instel en andere sleutels aan een ronddraaiend onderdeel van het elektrisch gereedschap kunnen tot verwondingen leiden.
- e) **Zorg dat u nooit uw evenwicht kunt verliezen; houd altijd twee voeten stevig op de vloer.** Hierdoor kunt u het elektrisch gereedschap in onverwachte situaties beter onder controle houden.
- f) **Zorg dat u geschikte kleding draagt. Draag geen loshangende kleding of sieraden. Houd uw haar, kleding en handschoenen uit de buurt van bewegende delen.** Loshangende kleding, sieraden en lang haar kunnen vast komen te zitten in bewegende delen.
- g) **Wanneer er voorzieningen zijn voor de aansluiting van stofafzuiginstallaties, zorg dan dat ze op de juiste wijze worden aangesloten en gebruikt.** Gebruik van deze voorzieningen vermindert de gevaren die door stof worden veroorzaakt.

4) Gebruik en onderhoud van elektrisch gereedschap

- a) **Oefen geen overmatige kracht uit op elektrisch gereedschap. Gebruik het juiste gereedschap voor uw specifieke toepassing.** Met het juiste elektrische gereedschap voert u de taak beter en veiliger uit wanneer dit op de snelheid gebeurt waarvoor het apparaat is ontworpen.
- b) **Gebruik nooit elektrisch gereedschap waarvan de AAN/UITschakelaar niet werkt.** Ieder elektrisch gereedschap dat niet kan worden in en uitgeschakeld met de schakelaar is gevaarlijk en moet worden gerepareerd.
- c) **Trek de stekker uit het stopcontact voordat u wijzigingen aanbrengt aan elektrische gereedschappen, accessoires verwisselt of het elektrisch gereedschap opbergt.** Wanneer u zich aan deze preventieve veiligheidsmaatregelen houdt, beperkt u het risico dat het gereedschap per ongeluk wordt gestart.
- d) **Berg elektrisch gereedschap dat niet in gebruik is op buiten bereik van kinderen en laat personen die niet bekend zijn met het gereedschap of deze instructies het apparaat niet gebruiken.** Elektrisch gereedschap is gevaarlijk in de handen van ongeëfende gebruikers.
- e) **Zorg voor een goed onderhoud van elektrisch gereedschap. Controleer of bewegende delen op de juiste wijze zijn vastgezet. Controleer ook of er geen onderdelen defect zijn of dat er andere omstandigheden zijn die van invloed kunnen zijn op de werking van het gereedschap. Laat het gereedschap bij beschadigingen repareren vóór gebruik.** Veel ongelukken worden veroorzaakt door slecht onderhoud van het gereedschap.
- f) **Zorg dat snij en zaagwerktuigen scherp en schoon blijven.** Goed onderhouden snij en zaagwerktuigen met scherpe randen zullen minder snel vastlopen en zijn eenvoudiger onder controle te houden.
- g) **Gebruik alle elektrische gereedschappen, accessoires, bitjes etc., zoals aangegeven in deze instructies en op de wijze waarvoor het gereedschap is ontworpen. Houd daarbij rekening met de werkomstandigheden en de uit te voeren taak.** Gebruik van elektrisch gereedschap voor handelingen die afwijken van de taken waarvoor het apparaat is ontworpen kunnen leiden tot gevaarlijke situaties.

5) Gebruik en onderhoud accugereedschap

- a) **Laad alleen op met de lader die door de fabrikant is gespecificeerd.** Een lader die voor een bepaalde accu geschikt is, kan brand veroorzaken wanneer deze met een andere accu wordt gebruikt.
- b) **Gebruik elektrisch gereedschap alleen met de speciaal hiervoor bedoelde accu's.** Gebruik van andere accu's kan kans op letsel en brand geven.
- c) **Wanneer de accu niet in gebruik is, houd deze dan uit de buurt van andere metalen voorwerpen zoals paperclips, munten, sleutels, spijkers, schroeven of andere kleine metalen voorwerpen die een verbinding tussen twee polen kunnen maken.** Kortsluiting tussen de accupolen kan brandwonden of brand veroorzaken.
- d) **Wanneer de accu niet juist wordt gebruikt, kan er vloeistof uit lopen; raak dit niet aan. Wanneer dit per ongeluk wel gebeurt, spoel dan met water. Wanneer de vloeistof in de ogen komt, moet u een arts raadplegen.** De vloeistof uit de accu kan irritaties of brandwonden veroorzaken.

6) Service

- a) **Laat uw gereedschap onderhouden door een gekwalificeerde onderhoudstechnicus die alleen gebruikmaakt van identieke vervangingsonderdelen.** Dit zorgt ervoor dat de veiligheid van de powertool intact blijft.

AANVULLENDE VEILIGHEIDSVORSCHRIFTEN VOOR DECOUPEERZAGEN

- Bewerk geen materialen die asbest bevatten. Asbest wordt als kankerverwekkend beschouwd.
- Draag een veiligheidsbril, gehoorbescherming en indien nodig andere beschermingsmiddelen, zoals veiligheidshandschoenen, veiligheidsschoenen, etc.
- Verwijder voor gebruik alle spijkers en andere metalen voorwerpen uit het werkstuk.
- Zorg ervoor dat het werkstuk correct wordt ondersteund of vastgezet.
- Gebruik de machine niet zonder de beschermkap.
- Controleer het zaagblad voor ieder gebruik. Gebruik geen zaagbladen die verbogen, vervormd of op andere wijze beschadigd zijn.
- Zorg ervoor dat het zaagblad correct is gemonteerd.
- Gebruik uitsluitend zaagbladen die geschikt zijn voor gebruik met de machine.

- Gebruik uitsluitend zaagbladen met de juiste afmetingen.
- Gebruik geen andere accessoires dan zaagbladen.
- Gebruik geen zaagbladen van HSS-staal.
- Gebruik de machine niet op werkstukken die een maximale zaagdiepte vereisen die hoger is dan de maximale zaagdiepte van het zaagblad.
- Houd de machine vast bij de geïsoleerde oppervlakken op plekken waar het zaagblad in contact kan komen met verborgen bedrading of het netsnoer. Indien het zaagblad in contact komt met een onder spanning staande draad, kunnen de blootgestelde metalen delen van de machine ook onder spanning komen. Gevaar voor elektrische schok.
- Laat na het monteren van het zaagblad de machine onbelast draaien op een veilige plek. Indien de machine sterk vibreert, schakel dan onmiddellijk de machine uit, verwijder de netstekker uit het stopcontact en probeer het probleem te verhelpen.
- Wees erop bedacht dat het zaagblad na het uitschakelen van de machine nog korte tijd blijft doordraaien. Probeer niet zelf het zaagblad tot stilstand te brengen.


Terugslag

Terugslag is de op- en achterwaartse beweging die het zaagblad maakt wanneer het zaagblad onverwachts met een voorwerp in aanraking komt. Houd de machine tijdens gebruik stevig vast. Houd uw aandacht bij de werkzaamheden.

Terugslag wordt meestal veroorzaakt door:

- het met het draaiende zaagblad onbedoeld raken van harde voorwerpen of materialen;
- een bot zaagblad;
- een verkeerd gemonteerd zaagblad;
- in een bestaande snede zagen;
- gebrek aan aandacht bij de werkzaamheden;
- een instabiele werkhouding.

Elektrische veiligheid

 *Controleer altijd of de spanning van de stroomtoevoer overeenkomt met de spanning op het typeplaatje.*

- Gebruik de machine niet indien het netsnoer of de netstekker zijn beschadigd.
- Gebruik uitsluitend verlengkabels die geschikt zijn voor het vermogen van de machine met

een minimale dikte van 1,5 mm². Indien u een verlengkabelhaspel gebruikt, rol dan altijd de kabel volledig uit.

2. TECHNISCHE INFORMATIE

Bedoeld gebruik

Uw decoupeerzaag is ontworpen voor het zagen van hout, metaal, kunststof, keramiek, rubber, etc. in elke afmeting en vorm.

TECHNISCHE SPECIFICATIES

Modelnr.	JS502AC
Spanning	230-240 V~
Frequentie	50Hz
Vermogen	550 W
Onbelaste snelheid	0 - 3.000/min
Max. zaagdiepte (hout)	65 mm
Verstekhoek	- 45 to 45°
Geluidsdruk (Lpa)	85 dB(A) K=3dB
Geluidsvermogen (Lwa)	96 dB(A) K=3dB
Vibratie (hout)	11,71 m/s ² K=1,5 m/s ²
Vibratie (metaal)	8,81 m/s ² K=1,5 m/s ²



Draag gehoorbescherming.

Trillingsniveau

Het trillingsemissieniveau, dat in deze gebruiksaanwijzing wordt vermeld, is gemeten in overeenstemming met een gestandaardiseerde test volgens EN 60745; deze mag worden gebruikt om twee machines met elkaar te vergelijken en als voorlopige beoordeling van de blootstelling aan trilling bij gebruik van de machine voor de vermelde toepassingen.

- Het gebruik van de machine voor andere toepassingen, of met andere of slecht onderhouden accessoires, kan het blootstellingsniveau aanzienlijk verhogen.
- Wanneer de machine is uitgeschakeld of wanneer deze loopt maar geen werk verricht, kan dit het blootstellingsniveau aanzienlijk reduceren.

Bescherm uzelf tegen de gevolgen van trilling door de machine en de accessoires te onderhouden, uw handen warm te houden en uw werkwijze te organiseren.

BESCHRIJVING

De nummers in de tekst verwijzen naar de diagrammen op pagina 2 - 3

Afb. A

1. Aan/uit-schakelaar
2. Vergrendelingsknop
3. Instelwiel toerental
4. Beschermkap
5. Zaagbladhouder
6. Zaagbladgeleiderrol
7. Grondplaat
8. Inbussleutel
9. Inbussleutelhouder
10. Stofafzuigaansluiting
11. Stofadapter
12. Handgreep

3. MONTAGE



Schakel voor assemblage altijd de machine uit en verwijder de netstekker uit het stopcontact.

Het zaagblad monteren en verwijderen

Zie onderstaande tabel voor het selecteren van het gewenste zaagblad.

Zaagblad	Materiaal
Grof	Hout
Medium	Hout
Fijn	Staal, aluminium, kunststof
Zeer fijn	Hout (rondingen)

Verwijder de beschermkap van de machine wanneer u het zaagblad wilt vervangen.



Zaag altijd met de beschermkap op de machine.

Een zaagblad monteren (Afb. B)

De machine is voorzien van een snelwisselsysteem voor zaagbladen.

- Draai de klemring (13) van de zaagbladhouder (5) geheel naar links en open zo de houder.
- Steek het zaagblad (13) zo ver mogelijk in de zaagbladhouder (5). De tanden van het zaagblad (15) moeten omhoog en naar voren wijzen. De gladde zijde van het zaagblad moet in de sleuf van de geleiderrol (6) ingrijpen.

- Laat de klemring (13) en sluit de houder.
- Let erop dat wanneer u het zaagblad vervangt de zaagbladhouder (5) vrij is van resten van materiaal (zoals splinters van hout of metaal).
- Controleer voor gebruik altijd dat het zaagblad stevig is vastgezet.

Het zaagblad verwijderen

- Draai de klemring (13) van de zaagbladhouder (5) geheel naar links en open zo de houder.
- Verwijder het zaagblad uit de houder.
- Laat de klemring los (13) en sluit de houder.

4. BEDIENING

In- en uitschakelen (Afb. C)

- Om de machine in te schakelen, drukt u de aan/uit-schakelaar (1) in.
- Om de machine naar continubedrijf te schakelen, houdt u de aan/uit-schakelaar (1) ingedrukt en drukt gelijktijdig de vergrendelingsknop (2) in.
- Om continubedrijf uit te schakelen, drukt u de aan/uit-schakelaar (1) nogmaals in.
- Om de machine uit te schakelen, laat u de aan/uit-schakelaar (1) los.

Instellen van de snelheid (Afb. C)

Het instelwiel voor het toerental wordt gebruikt voor het instellen van de snelheid. De ideale snelheid is afhankelijk van het profiel en de tanden van het zaagblad en van het te bewerken materiaal.



Stel de snelheid niet in tijdens gebruik.

- Draai het instelwiel voor het toerental (3) naar de gewenste positie.
 - Gebruik voor harde materialen een zaagblad met fijne tanden en selecteer een lagere snelheid.
 - Gebruik voor zachte materialen een zaagblad met grove tanden en selecteer een hogere snelheid.

De verstekhoek instellen (Afb. D)

De verstekhoek kan worden ingesteld tussen 0° en 45°. De verstekhoek kan worden afgelezen van de schaalverdeling.



Verstel de verstekhoek niet tijdens het gebruik.

- Draai de zeskantschroeven (14) los met de inbussleutel (8).

- Kantel de grondplaat (7) in de gewenste stand.
- Draai de zeskantschroeven (14) vast met de inbussleutel (8).

Stofafzuiging (Afb. E)

- Plaats de stofafzuigadapter (11) in de stofafzuigaansluiting (10).
- Sluit de slang van een stofzuiger aan op de stofafzuigadapter (11).

Aanwijzingen voor optimaal gebruik

- Klem het werkstuk vast. Gebruik een klemrichting voor kleine werkstukken.
- Teken een lijn om de richting te bepalen waarin het zaagblad moet worden geleid.
- Houd de machine stevig vast bij de handgreep.
- Stel de zaagsnelheid in.
- Stel de verstekhoek in.
- Stel de pendelpositie in.
- Schakel de machine in.
- Wacht totdat de machine volledig op snelheid is.
- Plaats de zaagschoen op het werkstuk.
- Beweeg de machine langs de vooraf getekende lijn, waarbij de zaagschoen stevig tegen het werkstuk wordt gedrukt.
- Oefen niet te veel druk uit op de machine. Laat de machine het werk doen.
- Schakel de machine uit en wacht totdat de machine volledig tot stilstand is gekomen voordat u de machine wegzet.

5. ONDERHOUD



Zorg dat de machine niet onder spanning staat wanneer onderhoudswerkzaamheden aan het mechaniek worden uitgevoerd.

Reinig de machinebehuizing regelmatig met een zachte doek, bij voorkeur iedere keer na gebruik. Zorg dat de ventilatiesleuven vrij van stof en vuil zijn. Gebruik bij hardnekkig vuil een zachte doek bevochtigd met zeepwater. Gebruik geen oplosmiddelen als benzine, alcohol, ammonia, etc. Dergelijke stoffen beschadigen de kunststof onderdelen.



Reinig regelmatig het zaagblad om onnauwkeurigheden tijdens gebruik te vermijden. Smeer de zaagbladgeleiderrrol regelmatig.

Vervangen van het zaagblad (Afb. B)

Versleten of beschadigde zaagbladen moeten onmiddellijk worden vervangen.



Gebruik uitsluitend scherpe en onbeschadigde zaagbladen.

- U kunt het oude zaagblad (15) verwijderen door te werk te gaan als wordt beschreven in het hoofdstuk „het zaagblad monteren en verwijderen“.
- U kunt het nieuwe zaagblad (15) monteren door te werk te gaan als wordt beschreven in het hoofdstuk „het zaagblad monteren en verwijderen“.

voor bepaalde doeleinden. In geen enkel geval kan VONROC aansprakelijk worden gesteld voor incidentele schade of gevolgschade. Reparaties van dealers zijn gelimiteerd tot de reparatie of vervanging van defecte producten of onderdelen.

Het product en de gebruikershandleiding zijn onderhevig aan wijzigingen. Specificaties kunnen zonder opgaaf van redenen worden gewijzigd.

MILIEU



Defecte en/of afgedankte elektrische of elektronische gereedschappen dienen ter verwerking te worden aangeboden aan een daarvoor verantwoordelijke instantie.

Uitsluitend voor EG-landen

Werp elektrisch gereedschap niet weg bij het huisvuil. Conform de Europese Richtlijn 2012/19/EG voor Afgedankte Elektrische en Elektronische Apparatuur en de implementatie ervan in nationaal recht moet niet langer te gebruiken elektrisch gereedschap gescheiden worden verzameld en op een milieuvriendelijke wijze worden verwerkt.

GARANTIE

VONROC producten zijn ontworpen volgens de hoogste kwaliteitsstandaarden en gegarandeerd vrij van defecten, zowel materieel als fabrieksfouten, tijdens de wettelijk vastgestelde garantieperiode vanaf de eerste aankoopdatum. Mocht het product tijdens deze periode gebreken vertonen veroorzaakt door defecte materialen en/of fabrieksfouten, neem dan rechtstreeks contact op met VONROC.

De volgende situaties vallen niet onder de garantie:

- Er zijn reparaties of aanpassingen aan de machine uitgevoerd, of er is een poging daartoe ondernomen, door een nietgeautoriseerd servicecentrum.
- Normale slijtage.
- De machine is misbruikt, verkeerd gebruikt of slecht onderhouden.
- Er zijn niet-originele reserveonderdelen gebruikt

Dit vormt de enige garantie opgesteld door het bedrijf zowel expliciet als impliciet. Er bestaan geen andere garanties expliciet of impliciet welke verder gaan dan deze garantie, inclusief impliciete garanties van verkoopbaarheid en geschiktheid

1. CONSIGNES DE SÉCURITÉ

En plus des avertissements de sécurité suivants, veuillez également lire les avertissements de sécurité additionnels ainsi que les instructions. Le non-respect des avertissements de sécurité et des instructions peut entraîner une décharge électrique, un incendie et/ou des blessures graves. Veuillez conserver les avertissements de sécurité et les instructions pour consultation ultérieure.

Les symboles suivants sont utilisés dans le manuel d'utilisation ou apposés sur le produit:



Lisez le manuel d'utilisation.



Signale un risque de blessures, un danger mortel ou un risque d'endommagement de l'outil en cas de non-respect des instructions de ce manuel.



Risque de décharge électrique



Débranchez immédiatement la fiche de la prise secteur si le câble secteur est endommagé ainsi que durant le nettoyage et la maintenance.



Portez des lunettes de protection.
Portez une protection auditive.



Portez un masque anti-poussière.



Ne pas utiliser sous la pluie



Machine de classe II - Double isolation - Vous n'avez pas besoin de prise avec mise à la terre.



Gardez à distance les éventuelles personnes à proximité.



Ne jetez pas le produit dans des conteneurs qui ne sont pas prévus à cet effet.



Le produit est conforme aux normes de sécurité en vigueur spécifiées dans les directives européennes.

CONSIGNES GÉNÉRALES DE SÉCURITÉ



AVERTISSEMENT! Veuillez lire l'intégralité des avertissements de sécurité et des instructions. Le non-respect de toutes les instructions indiquées cidessous peut entraîner un risque de choc électrique, d'incendie et/ou de blessures graves.

Conservez ces instructions.

Le terme "appareil électrique" mentionné dans tous les avertissements cidessous se rapporte à un appareil électrique qui se branche au réseau électrique (grâce à un câble d'alimentation) ou à un appareil électrique (sans fil) fonctionnant grâce à une batterie.

1) Espace de travail

- Veillez toujours à garder votre espace de travail propre et bien éclairé.** Les espaces mal rangés et sombres peuvent être la cause d'accidents.
- N'utilisez pas les appareils électriques dans des environnements susceptibles d'explosion, par exemple en présence de liquides inflammables, de gaz ou de particules.** Les appareils électriques provoquent des étincelles qui peuvent enflammer les particules des émanations.
- Veillez à garder éloignés les enfants et les personnes se trouvant dans votre voisinage, lors de l'utilisation d'un appareil électrique.** Les distractions peuvent vous faire perdre le contrôle de l'appareil.

2) Mesures de sécurité électriques

- Les prises des appareils électriques doivent être raccordées à la prise murale correspondante. Ne modifiez jamais la prise de l'appareil, de quelque façon que ce soit. N'utilisez pas d'adaptateurs qui mettent les appareils électriques à la terre (mise à la masse).** Des prises non modifiées et branchées à la prise murale correspondante réduiront les risques de choc électrique.
- Évitez le contact direct avec les surfaces mises à la terre ou mises à la masse comme les canalisations, les radiateurs, les cuisinières et les réfrigérateurs.** En effet, le risque de choc électrique s'accroît si votre corps est mis à la terre ou à la masse.
- N'utilisez pas d'outils électriques dans des environnements pluvieux ou humides.** Si de l'eau s'introduit dans un appareil électrique, le risque de choc électrique augmentera.

- d) **N'utilisez pas le câble de manière abusive. N'utilisez jamais le câble pour transporter, tirer ou débrancher l'appareil électrique. Veillez à garder le câble éloigné des sources de chaleur, des huiles, des rebords coupants ou des pièces actionnées.** Les câbles endommagés ou entremêlés augmentent le risque de choc électrique.
- e) **Lorsque un appareil est utilisé à l'extérieur, utilisez uniquement un câble prolongateur prévu à cet effet.** L'utilisation d'un câble à usage extérieur réduit le risque de choc électrique.
- f) **Si vous êtes contraint d'utiliser un outil électrique dans un environnement humide, utilisez une alimentation protégée par un dispositif à courant résiduel (RCD).** L'utilisation d'un RCD réduit le risque de décharge électrique.
- 3) Sécurité personnelle**
- a) **Restez vigilant, gardez un œil sur ce que vous faites et utilisez votre sens commun lors de l'utilisation d'un appareil électrique. N'utilisez pas un appareil électrique si vous êtes fatigué ou si vous êtes sous l'influence de drogues, d'alcool ou si vous prenez des médicaments.**
Un moment d'inattention lors de l'utilisation des appareils électriques peut entraîner des blessures graves.
- b) **Utilisez un équipement de protection personnelle. Protégez-vous toujours les yeux.** Les équipements de protection, tels qu'un masque à poussière, des chaussures antidérapantes, des protections auditives ou un casque de sécurité, utilisés dans de bonnes conditions, réduiront le risque de blessures.
- c) **Prévenez tout démarrage involontaire. Assurez-vous que l'interrupteur est sur la position "arrêt avant de brancher l'appareil.** En effet, le transport des appareils électriques en gardant vos doigts sur l'interrupteur, ou le branchement de ces appareils en ayant l'interrupteur sur "marche accidents.
- d) **Retirez les clés de réglage ou les clés de vis de réglage avant d'allumer l'appareil électrique.** Une clé de vis de réglage ou une clé, laissée sur une pièce en mouvement de l'appareil électrique, peut entraîner des lésions corporelles.
- e) **Ne pas se précipiter. Gardez toujours vos pieds à plat et gardez votre équilibre.** Ceci permet de mieux contrôler l'appareil électrique dans des situations imprévues.
- f) **Habillez-vous convenablement. Ne portez pas de vêtements lâches ou de bijoux. Gardez vos cheveux, vêtements et gants éloignés des pièces actionnées.** En effet, ces derniers peuvent être pris dans les pièces en action.
- g) **Si les appareils sont fournis pour la connexion des équipements d'évacuation et de récupération de la poussière, assurez-vous que ces derniers soient correctement connectés et utilisés.** L'utilisation de ces appareils peut réduire les risques liés à la poussière.
- 4) Utilisation et entretien d'un appareil électrique**
- a) **Ne forcez pas l'appareil électrique. Utilisez l'appareil électrique adéquat pour votre application.** Un appareil électrique correctement choisi assurera un meilleur travail et un travail sans danger, au rythme auquel il a été conçu.
- b) **N'utilisez pas l'appareil électrique si l'interrupteur marche/arrêt ne fonctionne pas.** Un appareil électrique qui ne peut pas être commandé par l'interrupteur de contrôle est dangereux et doit être réparé.
- c) **Débranchez la prise du bloc d'alimentation avant d'effectuer des réglages, de changer des accessoires, ou de ranger les appareils électriques.** Ces mesures de sécurité préventives réduiront le risque de démarrage involontaire de l'appareil électrique.
- d) **Rangez les appareils électriques arrêtés hors de la portée des enfants et ne laissez aucune personne, non familiarisée avec l'outil ou ces instructions, utiliser l'appareil électrique.** Les appareils électriques sont dangereux entre les mains d'utilisateurs non formés.
- e) **Entretenez les appareils électriques. Vérifiez tout défaut d'alignement et l'enchaînement des pièces actionnées, la rupture de ces dernières, et les autres conditions qui peuvent affecter le fonctionnement des appareils électriques. En cas de dommages, faites réparer l'appareil électrique avant de le réutiliser.** Nombreux sont les accidents provoqués par des appareils électriques mal entretenus.
- f) **Veillez à garder les outils coupants aiguisés et propres.** Des outils coupants correctement entretenus avec des lames aiguisées sont moins susceptibles de se bloquer et sont plus faciles à contrôler.
- g) **Utilisez l'appareil électrique, les accessoires et les embouts, etc., conformément à ces instructions.**

tions et de la manière prévue pour le type spécifique de l'appareil électrique, en prenant en compte les conditions de travail et le travail à effectuer. L'utilisation de l'appareil électrique dans des applications différentes de celles prévues peut entraîner des situations dangereuses.

5) Utiliser et soigner les outils à batterie

- a) **Rechargez la batterie uniquement avec le chargeur spécifié par le fabricant.** Un chargeur adapté à une certaine batterie peut être cause de danger d'incendie quand on l'utilise avec une batterie différente.
 - b) **Utilisez chaque outil uniquement avec la batterie conçue pour lui.** L'utilisation de toute autre batterie peut être cause de danger de blessure ou d'incendie.
 - c) **Lorsque une batterie n'est pas en usage, gardez-la hors d'atteinte d'objets métalliques tels que les trombones, pièces de monnaie, clés, clous, vis et autres petits objets métalliques pouvant faire le contact entre une borne et l'autre.** Un court-circuit entre les bornes de la batterie peut être cause de brûlures ou d'incendie.
 - d) **Dans des circonstances extrêmes, du liquide peut gicler hors de la batterie ; évitez tout contact. En cas de contact accidentel, rincez à l'eau. En cas de contact du liquide avec les yeux, consultez un médecin.** Le liquide qui giclé d'une batterie peut causer irritations ou brûlures.
- 6) Maintenance**
- a) **L'entretien de votre outil électrique doit être confié à un réparateur qualifié qui utilise uniquement des pièces de rechange identiques aux pièces d'origine.** Cela permet d'assurer la sécurité de l'outil électrique

AVERTISSEMENTS DE SÉCURITÉ SUPPLÉMENTAIRES POUR LES SCIES SAUTEUSES

- Ne travaillez pas sur des matériaux contenant de l'amiante. L'amiante est considéré comme carcinogène.
- Portez des lunettes de sécurité, une protection auditive et, si nécessaire, d'autres moyens de protection personnelle comme des gants de sécurité, des chaussures de sécurité, etc.
- Avant l'usage, retirez tous les clous et autres objets métalliques de la pièce à ouvrir.
- Assurez-vous que la pièce à ouvrir est correctement soutenue ou fixée.

- N'utilisez pas la machine sans le carter de protection.
- Vérifiez l'état de la lame de scie avant chaque utilisation. N'utilisez pas de lames de scie recourbées, fissurées ou autrement endommagées.
- Veillez à ce que la lame de scie soit correctement montée.
- Utilisez uniquement des lames de scie adaptées à cette machine.
- Utilisez uniquement des lames de scie aux dimensions correctes.
- N'utilisez pas d'autre accessoire que les lames de scie.
- N'employez pas de lames de scie en acier HSS.
- N'utilisez pas la machine sur des pièces à ouvrir nécessitant une profondeur de coupe maximum dépassant celle de la lame de scie.
- Tenez la machine par les surfaces de poignée isolées lorsque la lame de scie peut toucher des câblages cachés ou le câble secteur. Si la lame de scie touche un fil sous tension, les pièces métalliques exposées de la machine peuvent également être sous tension. Risque d'électrocution.
- Une fois la lame de scie en place, laissez la machine tourner sans charge dans une zone sécurisée. En cas de fortes vibrations de la machine, mettez-la immédiatement hors tension, débranchez la fiche de la prise secteur et essayez de résoudre le problème.
- Après avoir débranché la machine, la lame de scie continue à tourner pendant quelque temps. N'essayez jamais d'immobiliser vous-même la lame de scie.

Recul

Le recul correspond au mouvement vers le haut et l'arrière de la lame de scie lorsqu'elle touche inopinément un objet. Tenez fermement la machine pendant l'utilisation. Restez concentré sur le travail effectué.

Le recul est habituellement provoqué par :

- un contact inattendu avec des objets ou des matériaux durs alors que la lame de scie tourne;
- une lame de scie émoussée;
- une lame de scie mal installée;
- le fait de scier dans une trace de coupe existante;
- un défaut d'attention lors du travail;
- une position instable.

Sécurité électrique

Vérifiez si la tension d'alimentation électrique correspond bien à celle de la plaque signalétique.

- N'utilisez pas la machine si le câble secteur ou la fiche secteur est endommagé.
- Utilisez uniquement des rallonges adaptées à la puissance nominale de la machine et d'une section minimum de 1,5 mm². Si vous utilisez une bobine de rallonge, déroulez toujours complètement le câble.

2. INFORMATIONS RELATIVES À LA MACHINE**Utilisation prévue**

Votre scie sauteuse a été conçue pour découper le bois, le métal, le plastique, la céramique, le caoutchouc, etc, de toute taille et de toute forme.

SPÉCIFICATIONS TECHNIQUES

N° de modèle	JS502AC
Tension	230-240 V~
Fréquence	50Hz
Puissance	550 W
Vitesse à vide	0 - 3.000/min
Profondeur max. de sciage (bois)	65 mm
Angle d'onglet	- 45 to 45°
Pression acoustique (Lpa)	85 dB(A) K=3dB
Puissance acoustique (Lwa)	96 dB(A) K=3dB
Vibration (bois)	11,71 m/s ² K=1,5 m/s ²
Vibration (métal)	8,81 m/s ² K=1,5 m/s ²



Portez une protection auditive.

Niveau de vibrations

Le niveau des vibrations émises, indiqué dans ce manuel, a été mesuré conformément à la procédure décrite par la norme EN60745. Il peut être utilisé pour comparer deux outils ou pour réaliser une estimation préalable de l'exposition aux vibrations lors de l'utilisation de l'outil pour les applications mentionnées.

- L'utilisation de l'outil dans d'autres applications ou avec des accessoires différents ou mal entretenus peut considérablement augmenter le niveau d'exposition.

- La mise hors tension de l'outil et sa non-utilisation pendant qu'il est allumé peuvent considérablement réduire le niveau d'exposition.

Protégez-vous contre les effets des vibrations par un entretien correct de l'outil et de ses accessoires, en vous échauffant les mains et en organisant vos rythmes de travail.

DESCRIPTION

Les numéros dans le texte se rapportent aux schémas des pages 2 - 3.

Fig. A

1. Interrupteur de marche/arrêt
2. Bouton de verrouillage
3. Molette de réglage de vitesse
4. Carter de protection
5. Porte-lame de scie
6. Galet de guidage de lame de scie
7. Plaque de fond
8. Clé à 6 pans
9. Porte-clé à 6 pans
10. Raccord d'extraction de poussière
11. Adaptateur pour poussières
12. Poignée

3. MONTAGE

Avant le montage, mettez toujours la machine hors tension et débranchez la fiche de la prise secteur.

Installer et retirer la lame de scie

Voir la table suivante pour sélectionner la lame de scie correcte.

Lame de scie	Matériau
Grossier	Bois
Moyen	Bois
Fin	Acier, aluminium, plastique
Très fin	Bois (courbes)

Retirez le carter de protection de la machine et remplacez la lame de scie.



Ne sciez jamais sans que le carter de protection ne soit installé.

Installer une lame de scie (Fig. B)

La machine est équipée d'un système de remplacement rapide de la lame.

- Tournez la bague de fixation (13) du porte-lame de scie (5) complètement vers la gauche, afin d'ouvrir le porte-lame.
- Insérez la lame de scie (15) dans le porte-lame (5) aussi loin que possible. Les dents de la lame de scie (15) doivent pointer vers le haut et l'avant. Le côté lisse de la lame de scie doit s'engager dans la fente du galet de guidage (6).
- Libérez la bague de fixation (13) pour fermer le porte-lame.
- Assurez-vous, lors du changement de lame, que le porte-lame (5) est exempt de tout débris de matériau (éclats de bois ou de métal par exemple).
- Avant utilisation, vérifiez toujours que la lame de scie est correctement fixée.

Retirer la lame de scie

- Tournez la bague de fixation (13) du porte-lame de scie (5) complètement vers la gauche, afin d'ouvrir le porte-lame.
- Retirez la lame de scie du porte-lame.
- Libérez la bague de fixation (13) pour fermer le porte-lame.

4. FONCTIONNEMENT**Mise en marche et arrêt (Fig. C)**

- Pour mettre la machine en marche, appuyez sur l'interrupteur marche/arrêt (1).
- Pour mettre la machine en fonctionnement continu, enfoncez l'interrupteur marche/arrêt (1) sans le relâcher et appuyez sur le bouton de verrouillage (2).
- Pour arrêter la machine en fonctionnement continu, appuyez encore une fois sur l'interrupteur marche/arrêt (1).
- Pour arrêter la machine, relâchez l'interrupteur marche/arrêt (1).

Réglage de la vitesse (Fig. C)

La molette de réglage de vitesse (3) sert à ajuster la vitesse. La vitesse idéale dépend du profil et des dents de la lame de scie ainsi que du matériau ouvré.



Ne réglez pas la vitesse pendant l'utilisation.

- Sélectionnez la vitesse souhaitée au moyen de la molette de réglage de vitesse (3).
 - Pour les matériaux durs, utilisez une lame de scie aux dents fines et sélectionnez une vitesse plus lente.
 - Pour les matériaux mous, utilisez une lame de scie aux dents plus grossières et sélectionnez une vitesse plus rapide.

Régler l'angle d'inclinaison (Fig. D)

L'angle d'inclinaison peut varier entre 0° et 45°.

L'angle d'inclinaison peut être lu sur la graduation.



Ne réglez pas l'angle d'inclinaison pendant l'utilisation.

- Desserrez les vis à 6 pans (14) à l'aide d'une clé à 6 pans (8).
- Inclinez la plaque de fond (7) à la position voulue.
- Resserrez les vis à 6 pans (14) à l'aide d'une clé à 6 pans (8).

Évacuation de la poussière (Fig. E)

- Insérez l'adaptateur d'extraction de poussière (11) dans le raccord d'extraction de poussière (10).
- Connectez le flexible d'un aspirateur à l'adaptateur d'extraction de poussière (11).

Conseils pour une utilisation optimale

- Serrez la pièce à ouvrir. Utilisez un appareil de serrage pour les petites pièces.
- Tirez une ligne définissant la direction de guidage de la lame de scie.
- Tenez fermement la machine par la poignée.
- Réglez la vitesse de coupe.
- Réglez l'angle d'onglet.
- Réglez la position pendulaire.
- Mettez la machine en marche.
- Attendez que la machine atteigne son régime maximum.
- Placez le patin de scie sur la pièce à ouvrir.
- Déplacez lentement la machine le long de la ligne tracée en appuyant le patin de scie fermement contre le mur.
- N'exercez pas de pression excessive sur la machine. Laissez la machine faire le travail.
- Éteignez la machine et attendez son immobilisation totale avant de la reposer.

5. ENTRETIEN



Si vous voulez procéder à des travaux d'entretien sur le mécanisme, mettez la machine hors secteur.

Nettoyez le corps de la machine régulièrement au moyen d'un chiffon doux, de préférence après chaque utilisation. Vérifiez que les ouvertures d'aération ne sont pas obstruées ni sales. Utilisez un chiffon doux légèrement humidifié avec de la mousse de savon pour nettoyer les taches persistantes. N'utilisez pas de produits de nettoyage tels que l'essence, l'alcool, l'ammoniac, etc.; ces produits peuvent endommager les parties synthétiques.



*Nettoyez régulièrement la lame de scie pour éviter un usage imprécis.
Lubrifiez régulièrement le galet de guidage.*

Remplacement de lame de scie (Fig. B)

Les lames de scie usées ou endommagées doivent être immédiatement remplacées.



Utilisez uniquement des lames de scie affûtées et en parfait état.

- Pour retirer une lame de scie usagée (15), procédez comme décrit dans la section "Installer et retirer la lame de scie".
- Pour installer une lame de scie neuve (15), procédez comme décrit dans la section "Installer et retirer la lame de scie".

ENVIRONNEMENT



Les équipements électroniques ou électriques défectueux ou destinés à être mis au rebut doivent être déposés aux points de recyclage appropriés.

Uniquement pour les pays de l'UE

Ne jetez pas les outils électriques avec les déchets domestiques. Selon la Directive européenne 2012/19/CE relative aux déchets d'équipements électriques et électroniques et sa mise en œuvre dans le droit national, les outils électriques hors d'usage doivent être collectés séparément et mis au rebut de manière écologique.

GARANTIE

Les produits VONROC sont développés aux plus hauts standards de qualité et ils sont garantis contre les défauts de pièces et de main d'oeuvre pendant la durée légale stipulée à partir de la date d'achat d'origine du produit. En cas d'une quelconque panne du produit pendant cette durée qui serait due à un défaut matériel et/ou de main d'oeuvre, contactez directement VONROC.

Les circonstances suivantes ne sont pas prises en charge par la garantie:

- Des réparations ou altérations ont été effectuées ou tentées sur la machine par un centre de réparation non agréé.
- L'usure normale.
- L'outil a été maltraité, mal utilisé ou mal entretenu.
- Des pièces détachées non d'origine ont été utilisées

Ceci constitue l'unique garantie accordée par la société explicitement ou implicitement. Il n'existe aucune autre garantie, explicite ou implicite, qui peut s'étendre au delà du contenu ici présent, y compris les garanties marchandes ou d'adaptation à des fins particulières. En aucun cas VONROC ne sera tenu responsable de dommages accidentels ou consécutifs. Les solutions proposées par les revendeurs devront se limiter à la réparation ou le remplacement des éléments ou pièces non conformes.

Le produit et le manuel d'utilisation sont sujets à modifications. Les spécifications peuvent changer sans préavis.



**DECLARATION OF CONFORMITY
JS502AC - JIG SAW**

(EN) We declare under our sole responsibility that this product is in conformity with directive 2011/65/EU of the European parliament and of the council of 8 June on the restriction of the use of certain hazardous substances in electrical and electronic equipment is in conformity and accordance with the following standards and regulations:

(DE) Der Hersteller erklärt eigenverantwortlich, dass dieses Produkt der Direktive 2011/65/ EU des Europäischen Parlaments und des Rats vom 8. Juni 2011 über die Einschränkung der Anwendung von bestimmten gefährlichen Stoffen in elektrischen und elektronischen Geräten entspricht. den folgenden Standards und Vorschriften entspricht:

(NL) Wij verklaren onder onze volledige verantwoordelijkheid dat dit product voldoet aan de conform Richtlijn 2011/65/EU van het Europees Parlement en de Raad van 8 juni 2011 betreffende beperking van het gebruik van bepaalde gevaarlijke stoffen in elektrische en elektronische apparatuur en in overeenstemming is met de volgende standaarden en reguleringen:

(FR) Nous déclarons sous notre seule responsabilité que ce produit est conforme aux standards et directives suivants: est conforme à la Directive 2011/65/EU du Parlement Européen et du Conseil du 8 juin 2011 concernant la limitation d'usage de certaines substances dangereuses dans l'équipement électrique et électronique.

EN55014-1, EN55014-2, EN60745-1, EN60745-2-11, EN61000-3-2, EN61000-3-3, 2006/42/EC, 2014/30/EU, 2011/65/EU, 2012/19/EU

Zwolle, 01-09-2018

H.G.F Rosberg
CEO

VONROC - Lingenstraat 6 - 8028 PM Zwolle - The Netherlands



VONROC®
BUILD YOUR FUTURE

©2018 VONROC
WWW.VONROC.COM

1809-25